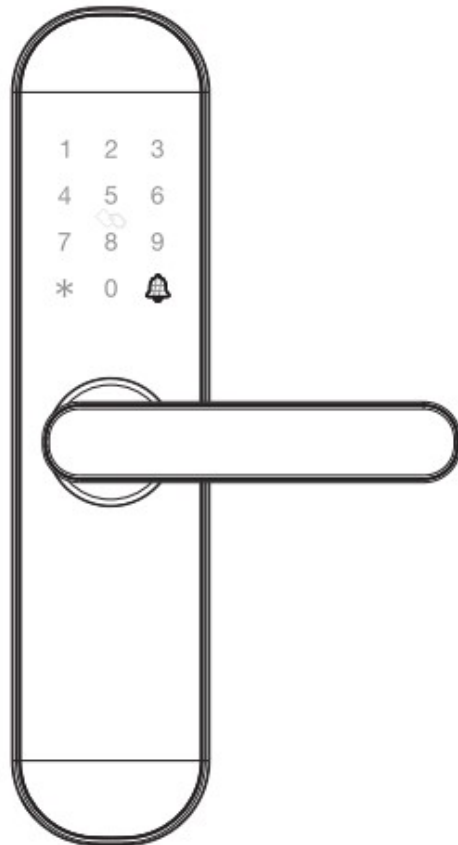


Smart Lock User Manual



Q202 (E202)

Please read this manual carefully before use

Customer Service: (+86) +400 900 5952

<http://en.finger-crystal.com>

Information & Safety Warnings

Note: Please prepare a Phillips screw driver and 4 AA batteries before installation.

1. Keep your fingers clean before using this product.
2. In original settings, it can be unlocked with any fingerprint, any card, or password `1234567890` and `#`.
3. If the voltage is insufficient, the lock will give an alarm, please replace 4pcs new batteries immediately.
4. Please don't use corrodent material to clean the surface.
5. When the password/fingerprint/card/APP can not unlock the door, please use the key to unlock the door. Please keep the emergency key with you or put it in outdoor safe place.
6. The lock is suitable for 40-100mm thick doors.

Features

1. The total capacity of system is 300, and the first three are admin's information.
2. Touching button, durable.
3. Supports 6-8 password and 20 virtual password.
4. Support low voltage warning.

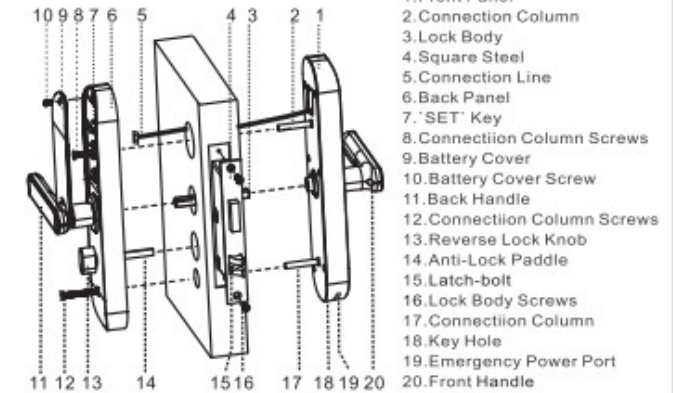
Name	Parameter
Fingerprint Sensor	semiconductor
DPI	500
Proof Time	0.3S
Unlock Way	Fingerprint, Card, Password, Key and APP
System Capacity	300
Proof Time	0.3S
Supply Voltage	6V
Low Voltage Warning	4.8V
Standby Current	<=50uA

Installation

1. Installation Instructions

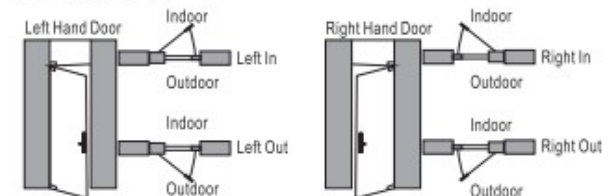
- a. It is recommended to look for professionals to install, watch the video carefully before installing.
- b. Please note that the connection line can't be pressed or folded in the installation.
- c. Before the installation, the lock must be selected correctly according to the door opening direction, because the handle can't be adjusted.
- d. While installing, the door must be in a half open state until the commissioning is completed.
- e. After the installation is completed, test whether the fingerprint, card, password(1234567890) and #, APP, key unlock, front and back handle unlock is correctly or not.
- f. If it does not work properly, please check if there is improper installation or loose power cord.

2. Installation Overview



3. Confirm The Direction of The Door

This smart lock is suitable for Left Out/Left In/Right Out/Right In 4 kinds of door opening directions.



4. Open Hole

Please refer to the opening hole drawing, and drill a right hole on the door.

5. Install Lock Body

- 5.1. Choose the installation direction of the latch-bolt of the lock body by the door opening directions.



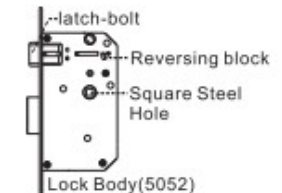
Left In/
Right Out



Left Out/
Right In

- 5.2. Change the direction of lock body

- a. Push the reversing block to the other side.
- b. Push the latch-bolt into the lock and turns 180 degrees.
- c. Put back the reversing block, and the latch-bolt will pop up automatically.



- 5.3. Put the lock body into the door frame and tighten 2 fixing screws.

6. Choose The Parts

Choose suitable parts according to the following table.

Door thickness	Square Steel Length	Connection Column Length	Connection Column Screw Length
1.57~2.16 Inch	3.15 Inch	1.38 Inch	1.18 and 1.97 Inch
2.17~2.36 Inch	3.15 Inch	1.77 Inch	1.18 and 1.97 Inch
2.76~3.15 Inch	3.94 Inch	1.77 Inch	1.97 and 2.76 Inch
3.55~3.94 Inch	4.72 Inch	1.77 Inch	2.76 and 3.54 Inch
>3.94 Inch	5.51 Inch	1.77 Inch	3.54 and 4.33 Inch

7. Install The Lock

7.1. Install 2 connection columns on the front panel.

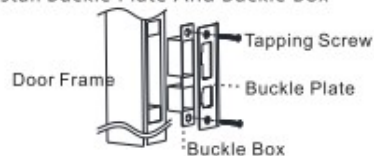
7.2. Install the front panel.

- Insert the suitable square steel into the lock body.
- Pass the connection line through the door hole.
- Align the square steel with the square steel hole of the front panel and fix the front panel on the door, then press the other end of the square steel.

7.3. Install the back panel.

- Press the front panel, and connect the connection line with the corresponding interface of the back panel, and insert the excess line into the door hole.
- Insert Anti-Lock Paddle into the lock body, and you can cut off one or two sections of Anti-Lock Paddle according to the thickness of the door.
- Align the square steel with the square steel hole of the back panel, and compress the back panel.
- Lock 2 connection column screws to fix the back panel.
- Install 4 AA batteries and the battery cover, then lock the battery cover screw.

8. Install Buckle Plate And Buckle Box



Using The Lock

Add The Administrator

- Remove the battery cover, short press 'Set' (back panel) or long press '**', then the voice prompts: 'Please add administrator'.
- Add admin's fingerprint (the same fingerprint, 3 times), card, or password (6-8 numbers) and '#' (the same password, 2 times).
- The voice prompts: 'add successfully'.
- Then you can continue to add.

Notes: 1. The first three are administrator.

- '*': Back, Sign out button, '#' : confirm button.

Add The User

- Remove the battery cover, short press 'Set' (back panel) or long press '**', then the voice prompts: 'Please verify the administrator'.
- Verify the administrator.
- Add user's fingerprint (the same fingerprint, 3 times), card, or password (6-8 numbers) and '#' (the same password, 2 times).
- The voice prompts: 'Add successfully'.
- Then you can continue to add.

Delete The User

- Remove the battery cover, short press 'Set' (back panel) or long press '**', then the voice prompts: 'Please verify the administrator'.
- Verify the administrator.
- Short press Set (back panel) or long press '**' again.
- Press '1' to remove all the user fingerprints, press '2' to remove all the user passwords, press '3' to remove all the user cards, press '4' to remove all user.
- The voice prompts: 'successful'.

Note: The administrator can't be removed by doing this.

Resetting The Lock

- Remove the battery cover, long press 'Set' for 5 seconds.
- The system restore to the factory default settings.

Notes:

- After the reset, all the information are removed (including administrator).
- Administrator password will return to its default '1234567890'.
- Please add a new administrator immediately.

APP Installation (For Hotels And Apartments)

- Scan 'Wifi Lock Tool' in APP store, download and install APP.
- Login with the account password specified by the system. (Please ask the supplier for the account password in time)
- Please refer to the operation prompt to complete the network configuration.

APP Installation (For Individual User)

- Scan 'FC Smart Home' in APP store, download and install APP.
- Registration and login with the mobile phone number.
- Please refer to the operation prompt to complete the network configuration.

Add Network

- Short press '3'+ '#', Verify the administrator.
- Network configuration mode: press '#' to change.
 - Normal mode: the LED of '8' fast flash, please add network in APP.
 - Compatibility mode: the LED of '8' slow flash, please add network in the Compatibility mode of APP.
- Add successfully: The voice prompts 'add successfully'.
- Add failure: LED light show 'X' and the voice prompts 'add failure'.

Self-locking

The password is entered wrong for 5 times continuously, the system will be locked for 180 seconds, and the fingerprint or card unlock can remove self-locking.

Low Voltage Warning

When the battery power is lower than 4.8V, the door open every time, it will prompt 'Low Power', please replace them with 4 new batteries in time.

Virtual Password

Any virtual password entered before or after the real password, it can be unlocked.

Warranty Card

- Please fill out the warranty card and keep in well.
- The warranty period of this product is 18 months.
- The following belongs to the scope of the non warranty:
 - The warranty has expired.
 - Damage occurred during or in relation to non-routine and/or unauthorized disassembly.
 - Failure to provide a valid proof of purchase when requesting service or repair.
 - Damage occurred as a result of natural disaster (including earthquake, fire, flood etc.)
 - Damage occurred due to unexpected factors or man-made reasons. (including mis-operation, improper insert or pulling, hauling, bumping, improper voltage input and others)
- We will charge for the repairing if it is out of warranty.
- When the product fails, ask your local dealer for repairs, while please write out the specific information.

Product Name	
Product Model	
Product Price	
Date of Purchase	
User Name	
User Phone	
User Address	
Seller Name	
Seller Address	
Seller Phone	
Purchase Order Number	

Maintenance records (Filled in by the maintenance agency)

Date	Fault	Result	Signature

Contact Information

Shenzhen Fingerchip Intelligent Technology Co., Ltd.
Room 406-407, Science&Research Building, Tsinghua Hi-Tech Park,
Northern District of High-Tech industry Park, Nanshan District, Shenzhen,
China

Hotline: (+86)400 900 5952

Web: en.fingercrystal.com